



Defence]

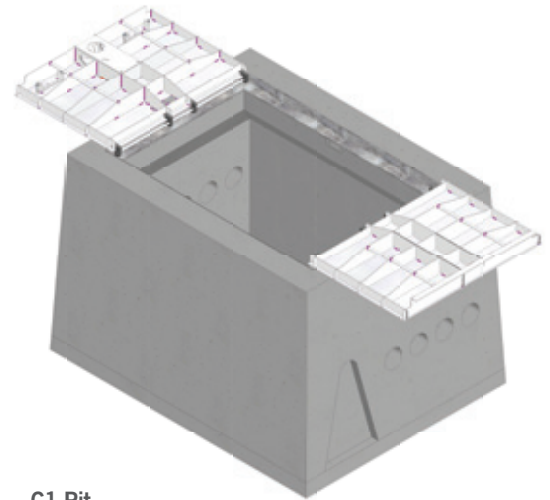
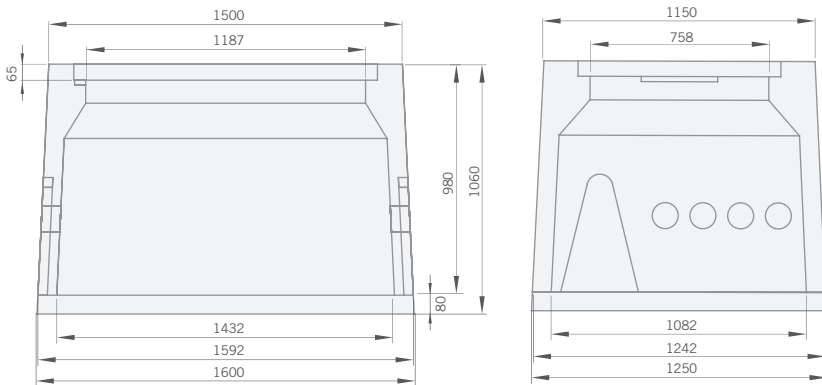
BVCI are a SCEC (Security Construction and Equipment Committee) endorsed manufacturer and supplier of Cable Pits and Locking Pit Access Covers for all Australian Defence and other high security cable pit projects.

Innovative patented “Secure” pre-cast concrete cable pit and access covers are typical of the dedication to security and pit safety from BVCI. The locking mechanism of the “Secure” pit cover eliminates the need for locking bars which is a major concern where the lockbar may be dislodged during maintenance programs and fall into the pit breaking the live cables. BVCI SCEC access covers are a standard Class C load rating with options for heavy duty applications available to a Class D rating.

BVCI, in line with new SCEC requirements have developed a range of pre-cast concrete cable pits complete with built in surround (one piece construction for greater security, and cost saving during installation), and plinths to which the “Secure” access covers may be installed. These standard BVCI C1, C2 and C4 pits are now well proven having been installed in major Defence projects throughout Australia.

All BVCI pre-cast concrete cable pits and manholes are manufactured to Australian standards and BVCI strict quality policy, and include 40Mpa concrete and full steel mesh and bar reinforcement. The BVCI pre-cast cable pits used in SCEC product are designed for load rating in line with the access covers which is unique to the pre-cast concrete industry. This design element provides long term confidence in the quality and endurance of the BVCI product.

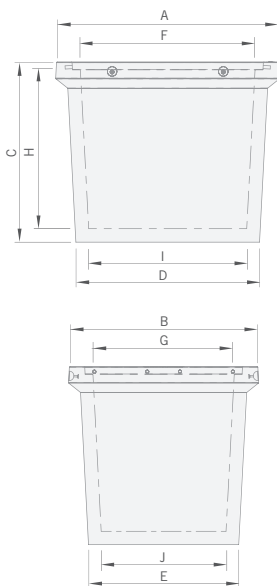
C1 Series Pits



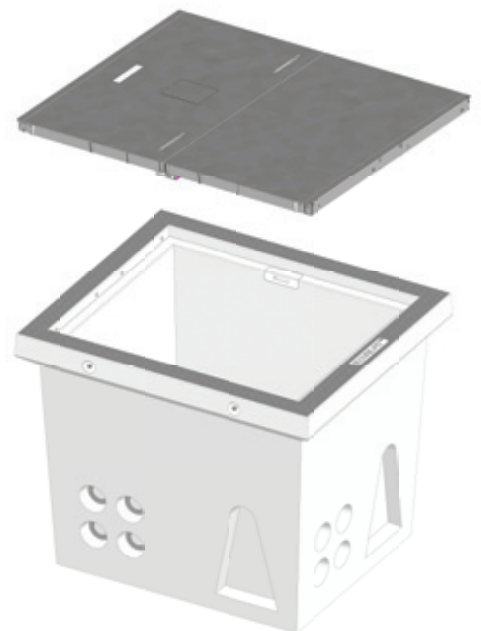
C1 Pit

Product Code (pit only) 522375

Please note: Hinged or non hinged SCEC covers are available (Class C or D).



Product Code	591065
Dimensions	911 Bell Top
A	1410
B	1210
C	1135
D	1157
E	957
F	1100
G	900
H	995
I	995
J	795



1100 x 900 x 1050

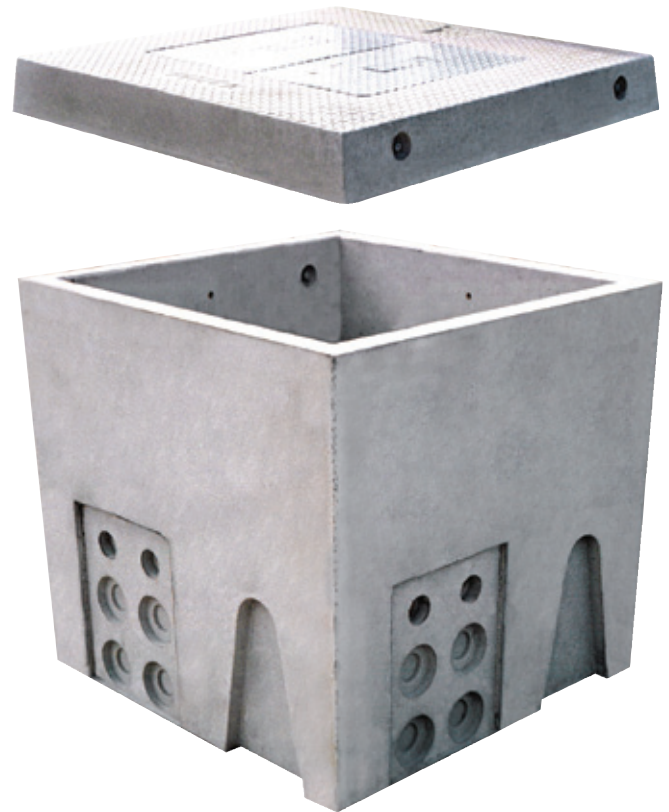
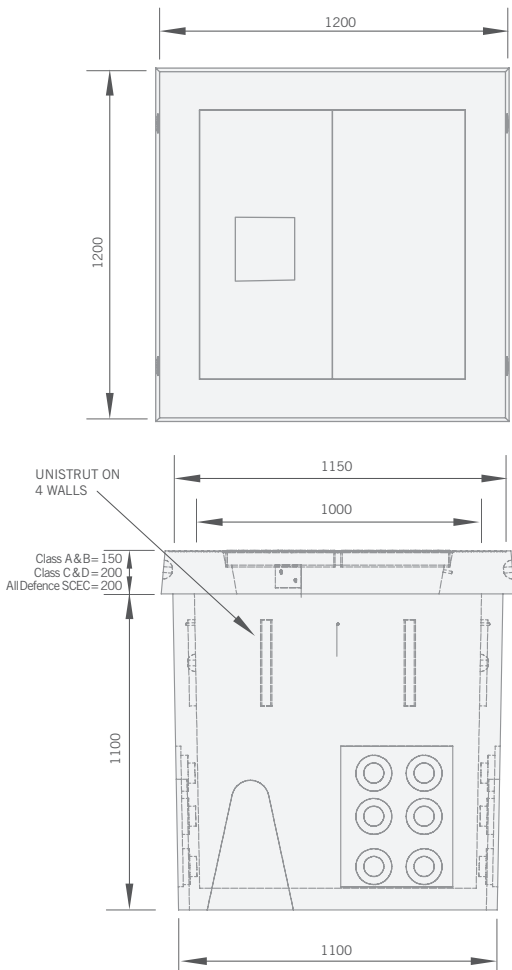
Belltop 911 Secure Pit
Product Code 591065

Please Note: Hinged SCEC covers are available (Class C or D).

Hinged and non-hinged covers available.

Please note: All BVCI precast concrete cable pits and manholes are designed and constructed using steel bar and mesh reinforcement with 40 Mpa concrete. All Defence Pits and Security access covers are tested and certified to SCEC requirements.

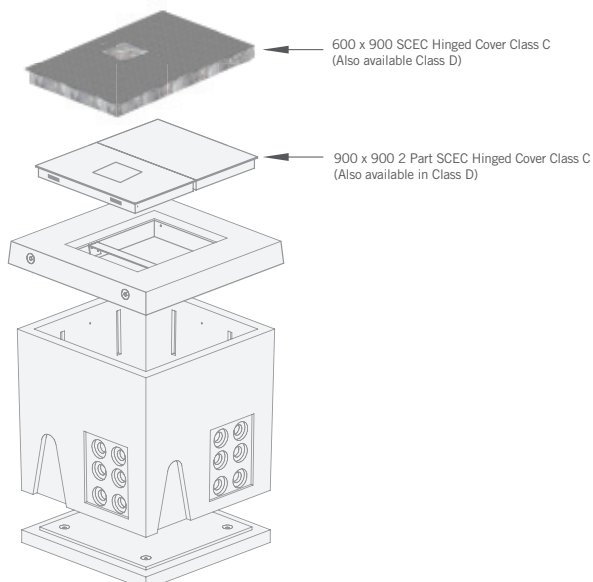
JD110 Pit 1000 x 1000 x 1000



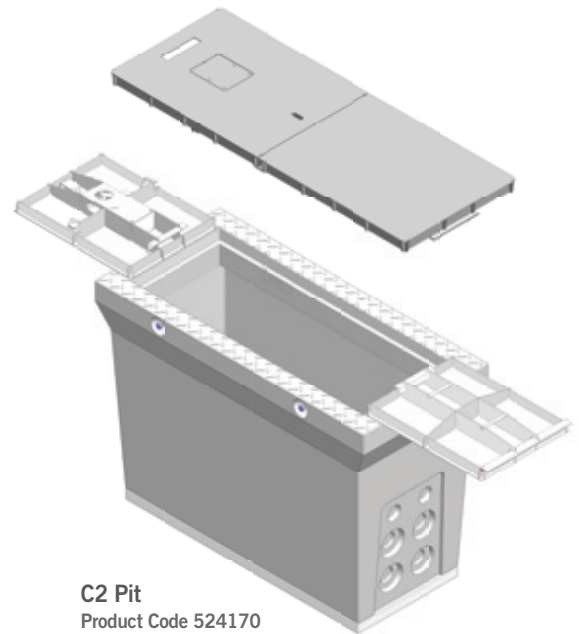
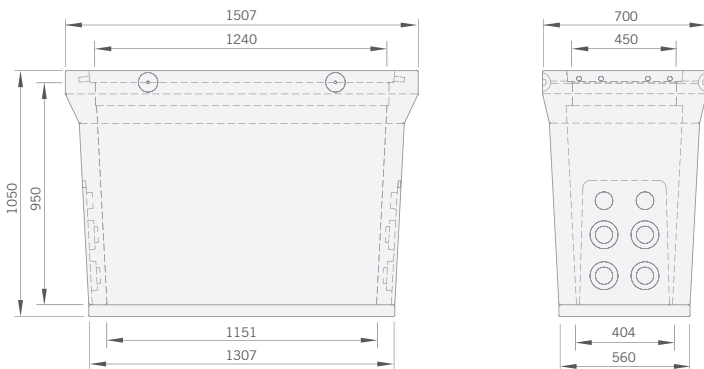
JD 110 Pit
With Floor Product Code 524115

The JD110 Pit and access roof assembly (concrete plinth) is also available with standard non lockable access covers for general communications and electrical applications not requiring security closure.

Please Note: Pit can be ordered with a separate floor to enable installation over existing conduits.



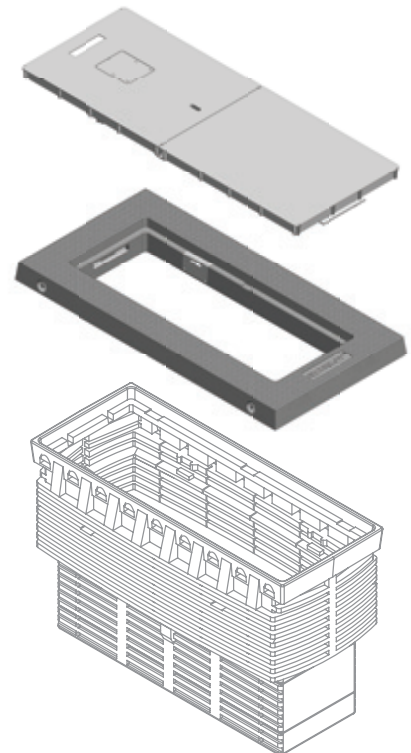
C2 Series Pits



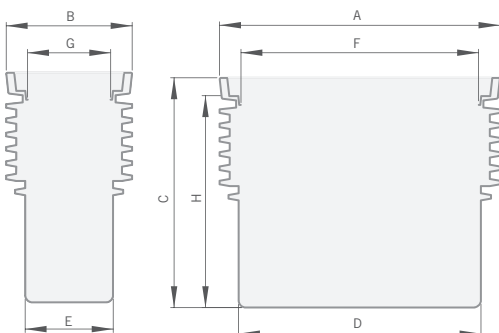
C2 Pit
Product Code 524170

Please note: Hinged or non hinged SCEC covers are available (Class C or D).

Please note: All BVCi precast concrete cable pits and manholes are designed and constructed using steel bar and mesh reinforcement with 40 Mpa concrete.
All Defence Pits and Security access covers are tested and certified to SCEC requirements.



P8 Plastic Pit & Plinth
Product Code 124045



P8 Dimensions	
A	1364
B	610
C	880
D	1200
E	410
F	1241
G	431
H	820

A x B x C x D x E - Overall Dimensions

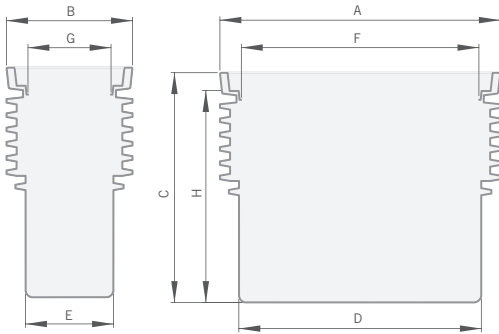
F x G x H - Clear Opening Size

Please note: Hinged or non hinged SCEC covers are available (Class C).

Plastic riser extensions available for P4, P5 and P6/8 Pits.

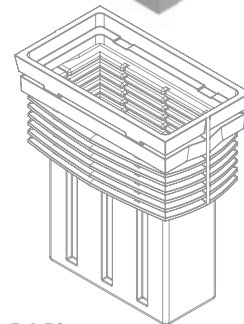
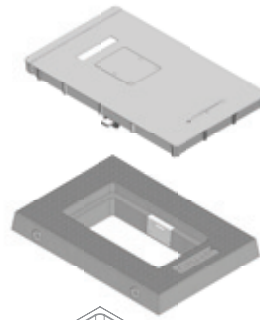
Precast concrete plinth with 2 part lockable covers tested and certified to SCEC requirements in Class C - as used whenever a plastic pit is used.

C3 Series Pits

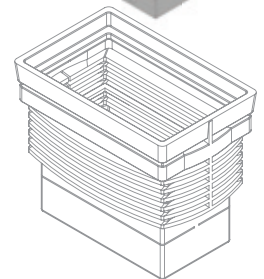
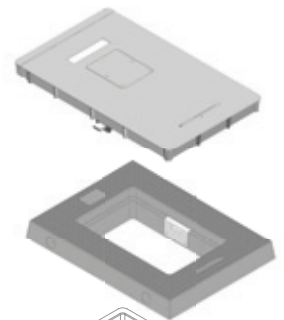


A x B x C x D x E - Overall Dimensions
F x G x H - Clear Opening Size

	P4 Dimensions	P5 Dimensions
A	704	700
B	398	450
C	830	605
D	550	570
E	240	320
F	582	580
G	277	330
H	774	549



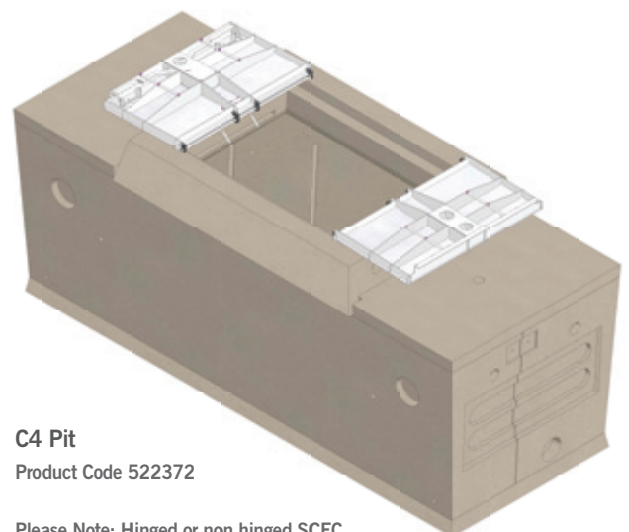
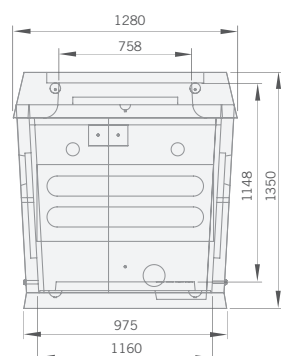
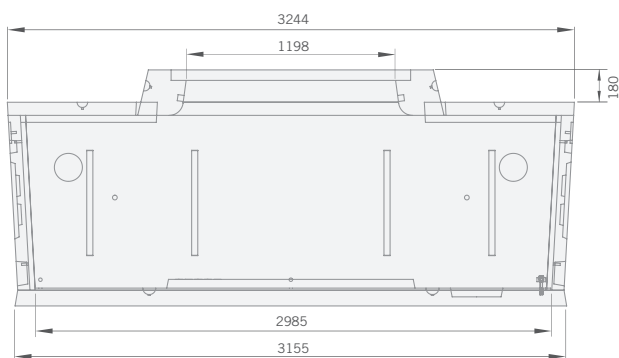
P4 Pit
Product Code 124025



P5 Pit
Product Code 124030

Please Note: Hinged or non hinged SCEC covers are available (Class C).
Precast concrete plinth with 2 part lockable covers tested and certified to SCEC requirements.

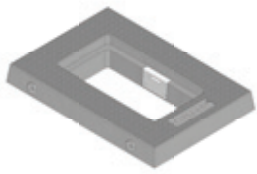
C4 Series Pit



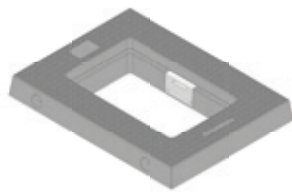
C4 Pit
Product Code 522372

Please Note: Hinged or non hinged SCEC covers are available (Class C or D)

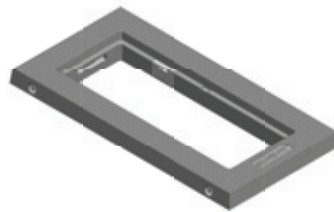
All BVCi precast concrete cable pits and manholes are designed and constructed using steel bar and mesh reinforcement with 40 Mpa concrete. All Defence Pits and Security access covers are tested and certified to SCEC requirements.



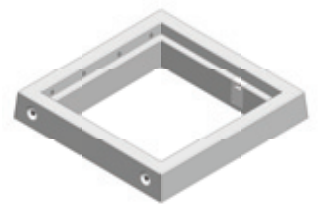
P4 Plinth
Product Code 523537



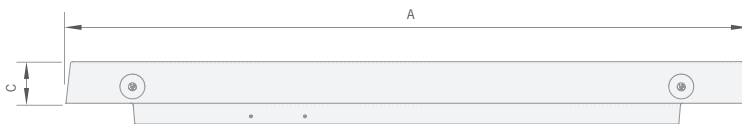
P5 Plinth
Product Code 523546



P6 & P8 Plinth
Product Code 523556



600 x 600 Plinth
Product Code 523557

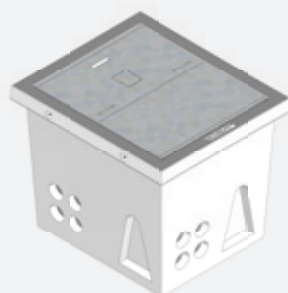
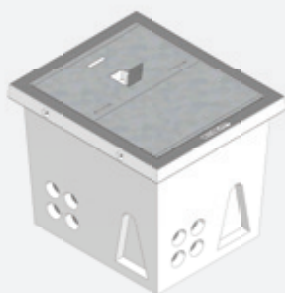
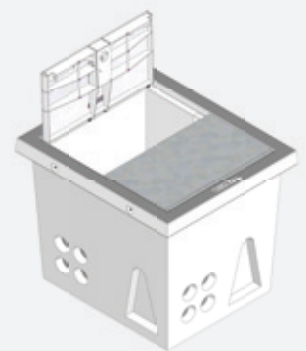
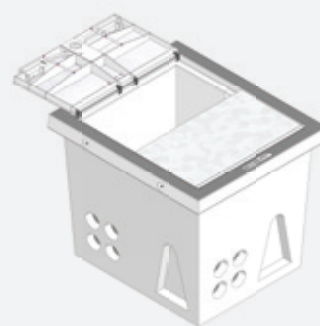
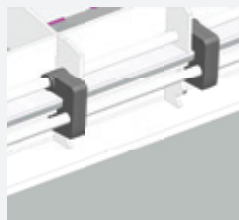
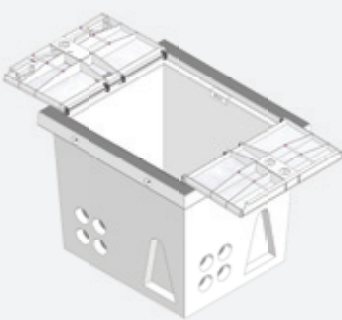


Product codes	523537	523546	523556	523557
Dimensions	P4	P5	P6/P8	600 x 600
A	977	977	1640	833
B	672	718	825	833
C	100	100	100	125

Clear Opening See P4 series pit (Communications) See P5 series pit (Communications) See P6 & P8 pits (Communications) See 600 x 600 pit (civil)

Please note: Precast concrete plinths and GMS covers tested and certified to SCEC requirements.

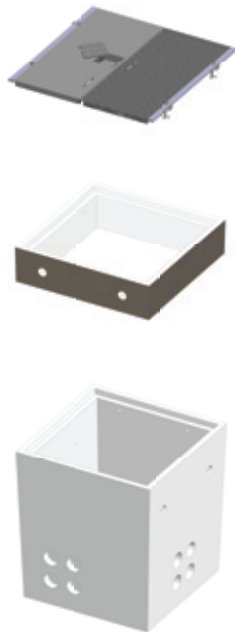
SCEC Secure access cover hinge and lock demonstration:



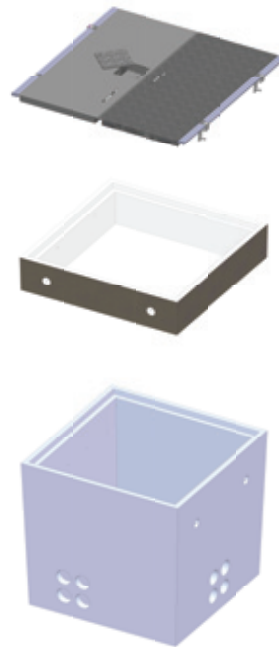
Please note: Patented GMS Secure Cover as certified by SCEC. No lock bar required increasing protection of cable, resulting from possible dropping of lock bars into pit and damaging cable.



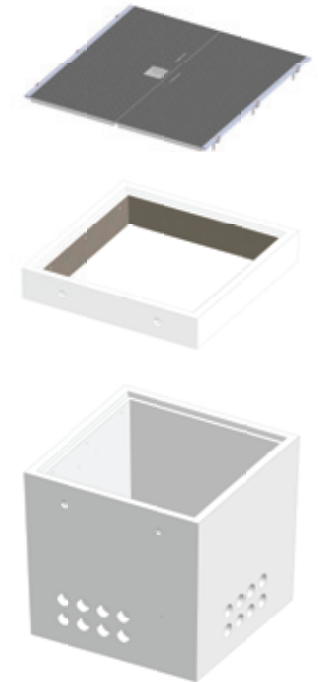
1000 x 600 x 1000
Product Code 524112



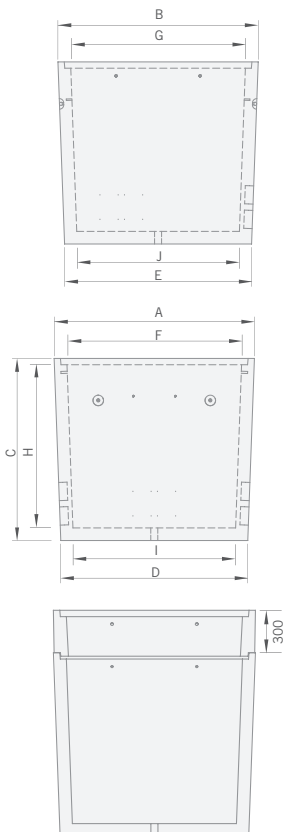
1000 x 1000 x 1195
Product Code 524113



1200 x 1200 x 1195
Product Code 524118



1500 x 1500 x 1500
Product Code 524114



MANHOLE AND RISER ASSEMBLY CUT VIEW

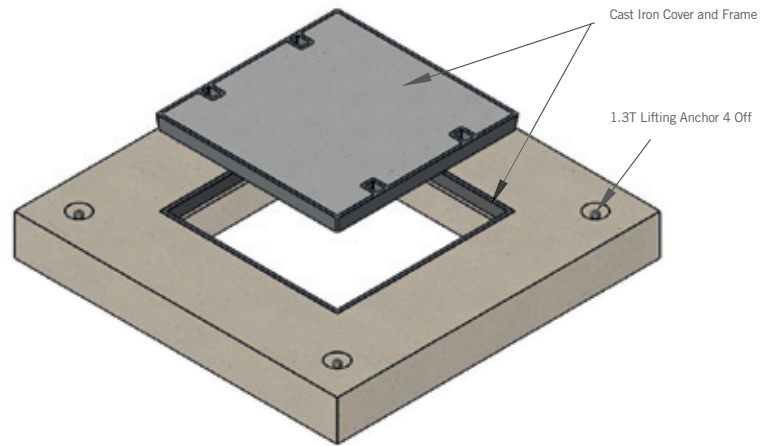
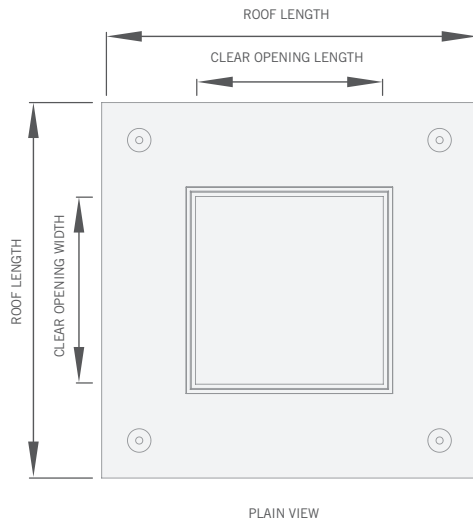
Product Code (Pit only)	524112	524113	524118	524114
Dimensions	1000 x 600 x 1000	1000 x 1000 x 1195	1200 x 1200 x 1195	1500 x 1500 x 1500
A	1180	1180	1430	1750
B	780	1180	1430	1750
C	1090	1300	1300	1625
D	1090	1090	1335	1660
E	720	1090	1335	1660
F	996	997	1247	1497
G	597	997	1247	1497
H	955	1160	1165	1455
I	917	916	1162	1417
J	545	916	1162	1417

Please note: All pits are available with GMS locking cover assemblies in Class C or D, or with concrete roof encasements incorporating cast iron access covers in Class C or D.

Cable Pit Roof Encasement

Defence

Electrical installation pit cover option



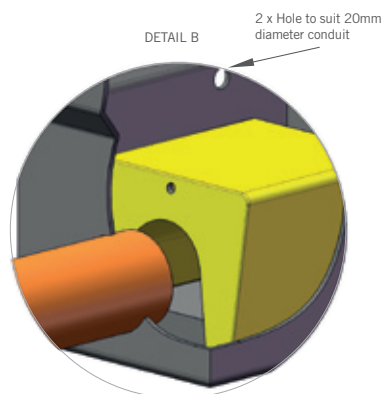
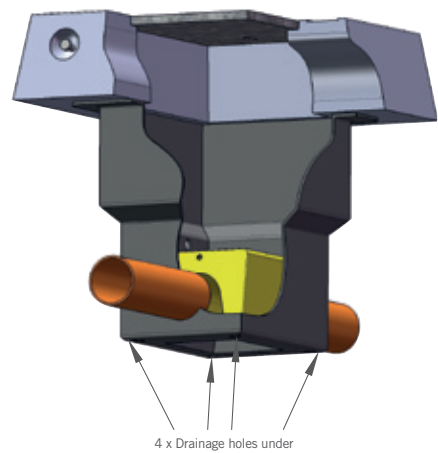
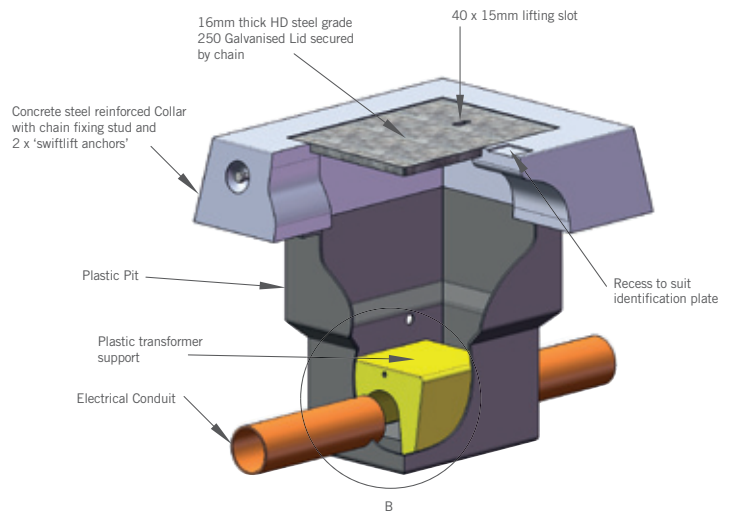
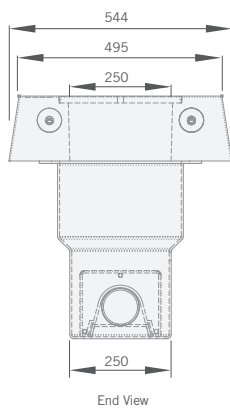
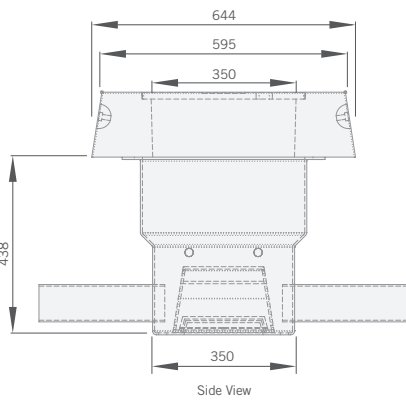
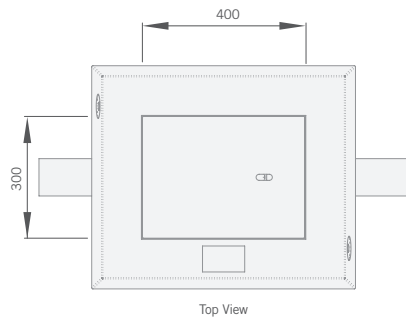
Pit Size	Precast Concrete Roof Slab		Cast Iron Covers & Frames / Frame Opening Size				
	Roof Length x Width	Roof Thickness	Clear Opening Length x Width	Class B		Class D	
		Class B / D		Thickness (mm)		Thickness (mm)	
				Frame	Cover	Frame	Cover
1500 x 1500 x 1500	1800 x 1800	150 / 200	750 x 750	48	37	89	73
1200 x 1200 x 1195	1500 x 1500	150 / 200	750 x 750	1750	37	89	73
1000 x 1000 x 1195	1300 x 1300	150 / 200	600 x 600	1625	37	89	73
1000 x 600 x 1000	1300 x 900	150 / 200	600 x 600	1660	37	89	73

Please note: Special encasement sizes manufactured to specification for all Class ratings.

SIT Transformer Pit

Defence

SIT Pit
For runway lighting applications



SIT Pit
Product Code 124060

SIT Transformer Support
Product Code 124065

SIT Collar Concrete
Product Code 523165

SIT GMS Cover C/W Chain
Product Code 321200