

Air/Road]

BVCI have developed a range of “Secure” cable pit and access cover products for this market based much on the SCEC endorsed product used in high security Defence installations.

The “Secure” pre-cast concrete cable pit designs incorporate the pit and surround in one a piece moulding to provide full security, and cost saving during installation. Typically the access covers used in these products are hinged and with lockbox style locking, allowing for ease of opening and combined with the patented “Secure” pit access cover design which prevents chance for the cover, or lockbar (as used on other style locking pits) falling in to the pit and cutting “live” communications and/or electrical cables. Cable Pits for this market may be pre-cast concrete such as the “Secure” pit or plastic cable pits with locking access covers to a security level as determined by the Authority.

BVCI have a wide range of options for use in these Airport installations based on whether the project is Air-side or Public-side of the terminal. BVCI also manufacture LV and HV pre-cast cable pit products made to order to accommodate the needs of Airport projects. Cast Iron access covers to Class G load rating are available where required for tarmac use. These may be encased in special cable pit roofs to specification.

BVCI manufacture a range of pre-cast concrete and plastic cable pits and selective stormwater pit products for this civil market as well as approved access covers to suit.

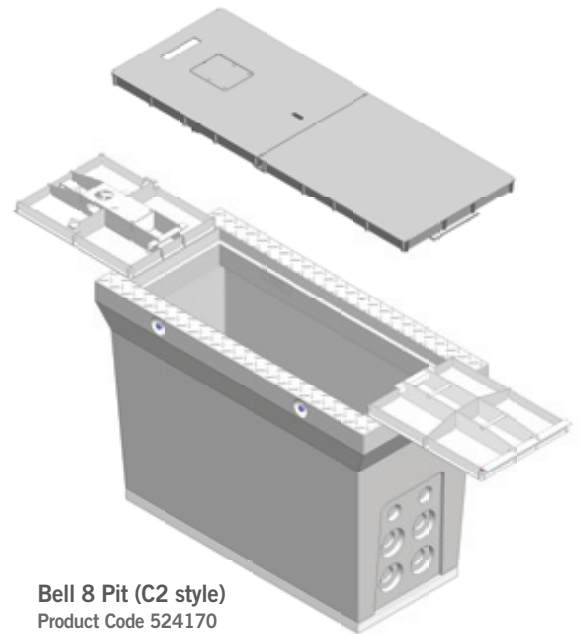
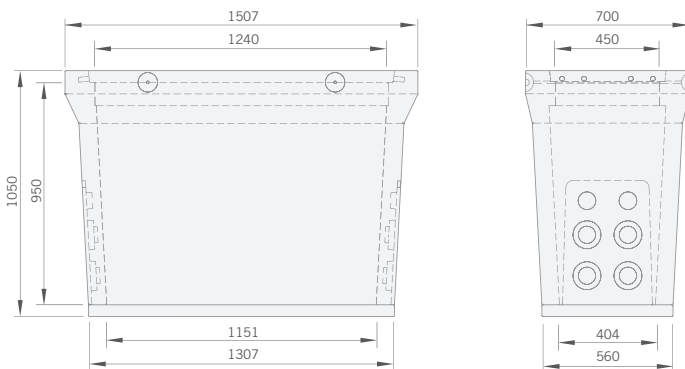
Working with the various Authorities in each State, BVCI are developing products to meet the wide range of applications and specifications such as Vic Roads, RTA (NSW) and Queensland Main Roads (MRD).

BVCI products are all manufactured to our quality standard and in line with recognised Australian Standards for the manufacture of pre-cast concrete and plastics, and metal access covers.

BVCI are a quality assured company to AS/NZS ISO 9001-2008 Certification number 6430.

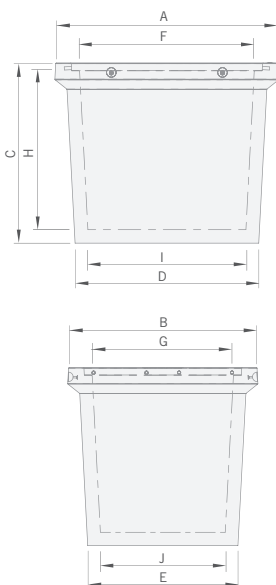
Concrete Cable Jointing Pits

Air/Road



Bell 8 Pit (C2 style)
Product Code 524170

Please note: Hinged or non hinged SCEC covers are available (Class C or D). Non locking covers are available.



Product Code	591065
Dimensions	911 Bell Top
A	1410
B	1210
C	1135
D	1157
E	957
F	1100
G	900
H	995
I	995
J	795



1100 x 900 x 1050
Belltop 911
Product Code 591065

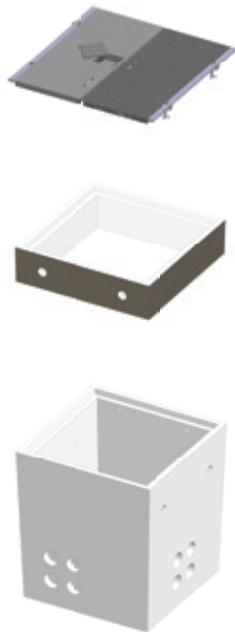
Please note: Hinged or non hinged SCEC covers are available (Class C or D). Non locking covers are available.

Concrete Cable Jointing Pits

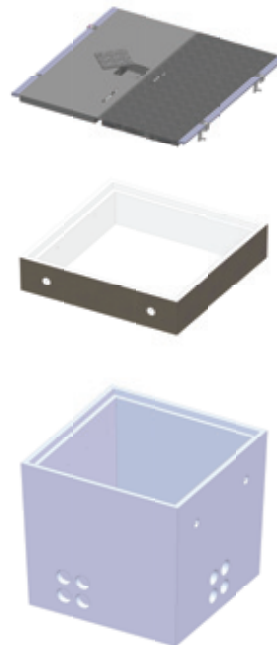
Air/Road



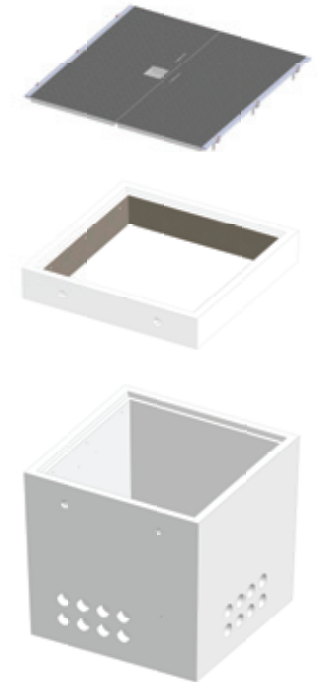
1000 x 600 x 1000
Product Code 524112



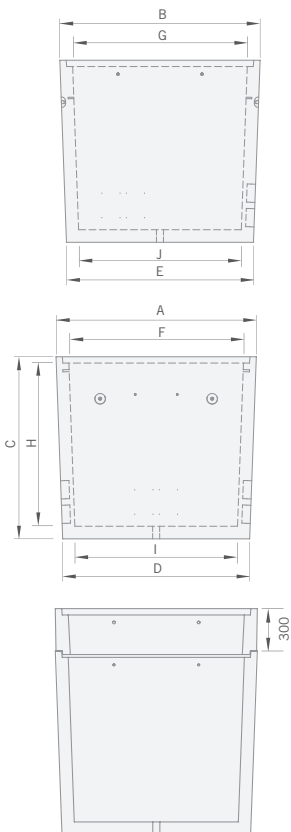
1000 x 1000 x 1195
Product Code 524113



1200 x 1200 x 1195
Product Code 524118



1500 x 1500 x 1500
Product Code 524114



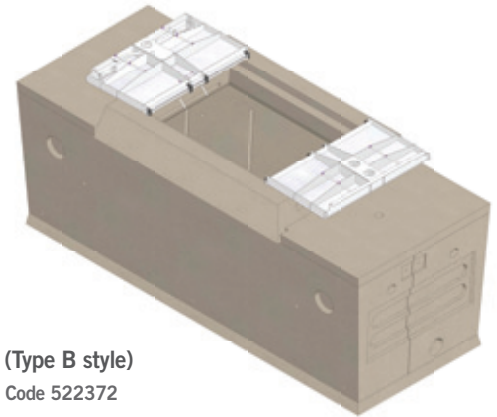
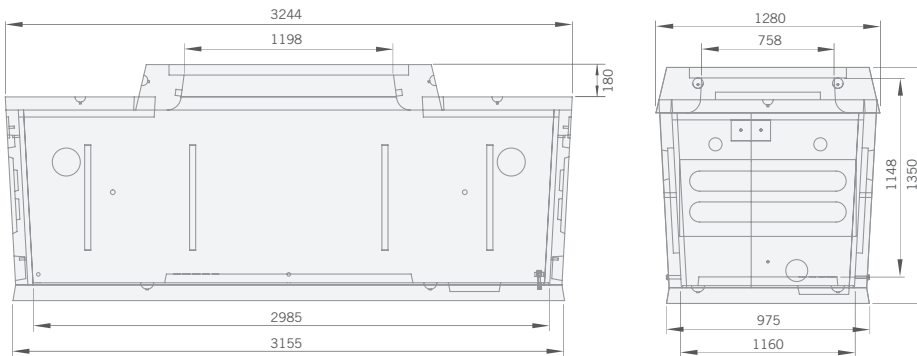
MANHOLE AND RISER ASSEMBLY CUT VIEW

Product Code (Pit only)	524112	524113	524118	524114
Dimensions	1000 x 600 x 1000	1000 x 1000 x 1195	1200 x 1200 x 1195	1500 x 1500 x 1500
A	1180	1180	1430	1750
B	780	1180	1430	1750
C	1090	1300	1300	1625
D	1090	1090	1335	1660
E	720	1090	1335	1660
F	996	997	1247	1497
G	597	997	1247	1497
H	955	1160	1165	1455
I	917	916	1162	1417
J	545	916	1162	1417

Please note: All pits are available with GMS locking cover assemblies in Class B, C or D, or with concrete roof encasements incorporating cast iron access covers in Class B, C or D.

Concrete Manholes and Cable Jointing Pits

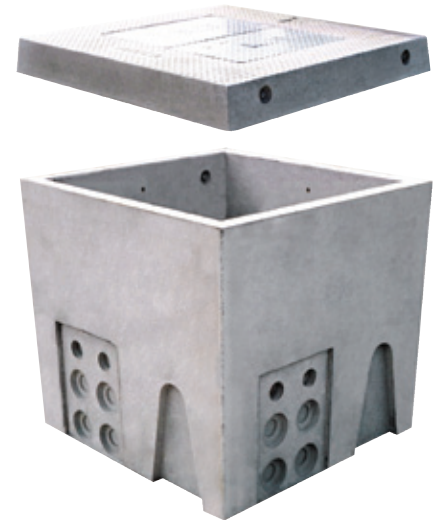
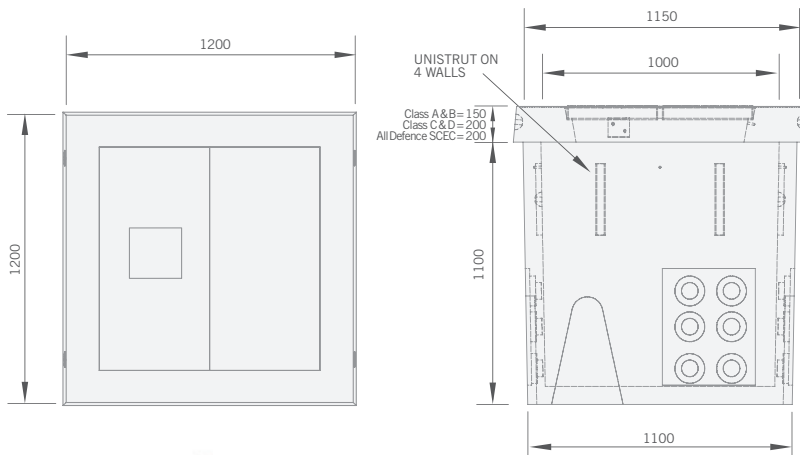
Air/Road



C4 Pit (Type B style)

Product Code 522372

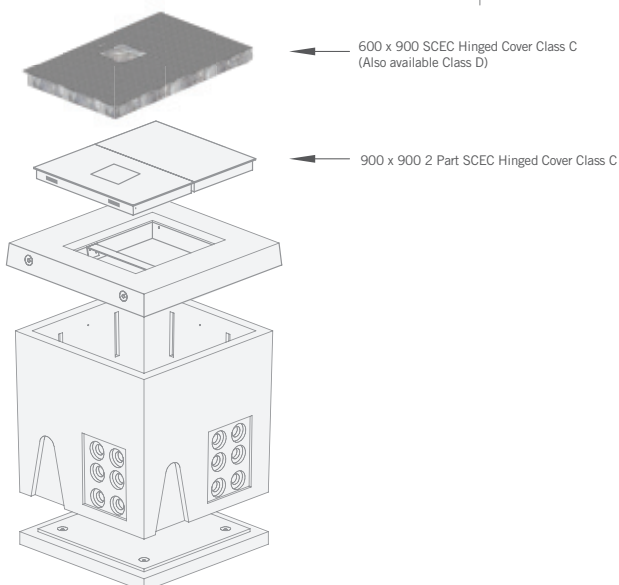
Please Note: Hinged or non hinged SCEC covers are available (Class C or D). Non locking covers are available.



JD 110 Pit
1000 x 1000 x 1000
 With Floor Product Code 524115

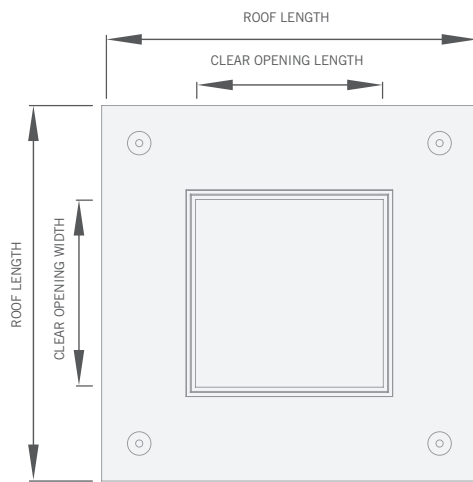
The JD110 Pit and access roof assembly is also available with standard non lockable access covers for general communications and electrical applications not requiring security closure.

Please Note: Pit can be ordered with a separate floor to enable installation over existing conduits.



Cable Pit Roof Encasement

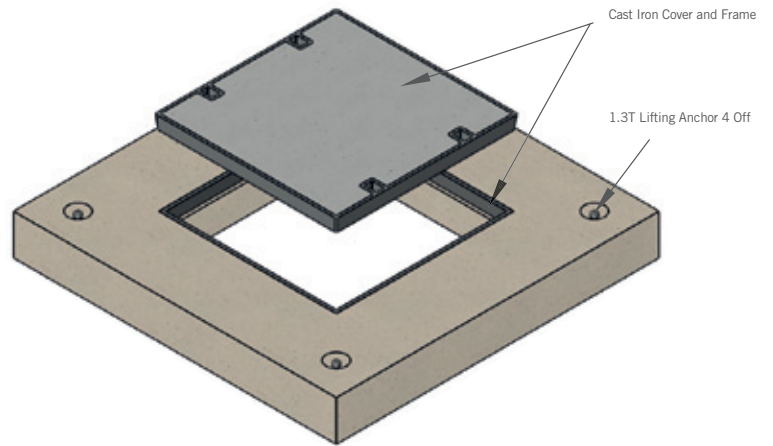
Air/Road



PLAIN VIEW



ELEVATION VIEW



Pit Size	Precast Concrete Roof Slab		Cast Iron Covers & Frames / Frame Opening Size				
	Roof Length x Width	Roof Thickness	Clear Opening Length x Width	Class B		Class D	
		Class B / D		Thickness (mm)		Thickness (mm)	
				Frame	Cover	Frame	Cover
1500 x 1500 x 1500	1800 x 1800	150 / 200	750 x 750	48	37	89	73
1200 x 1200 x 1195	1500 x 1500	150 / 200	750 x 750	1750	37	89	73
1000 x 1000 x 1195	1300 x 1300	150 / 200	600 x 600	1625	37	89	73
1000 x 600 x 1000	1300 x 900	150 / 200	600 x 600	1660	37	89	73

Please Note: Special encasement sizes manufactured to specification for all Class ratings.

Service Plastic Pits

Air/Road

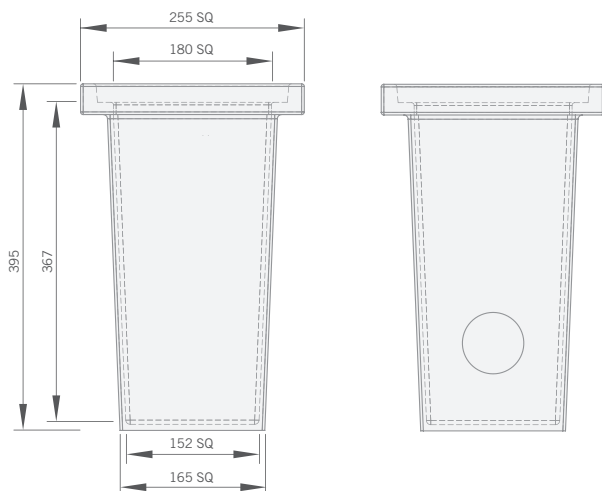
Product Code	124120
Dimension	dia 654 x 1065
Diameter (Clear Opening)	574
Depth (Internal)	1045

Class B Cast Iron Cover with Collar (Vic Roads)
Product Code 300S6BVRE

600 dia Road Corp Ring (plastic) (Vic Roads)
Product Code 124120



Please note: Various company logos available upon request.

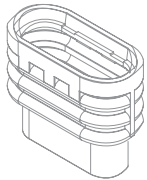


Service Pit Lid
Product Code 124101

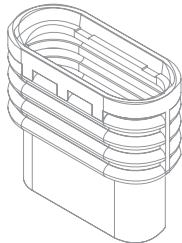
Detector Pit (plastic) (Vic Roads)
220 x 220
Product Code 124100

Plastic Pits

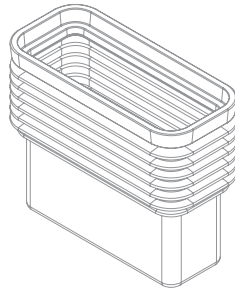
Air/Road



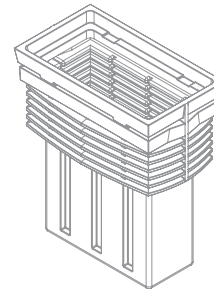
P1 Pit
Product Code 124000



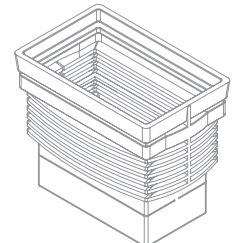
P2 Pit
Product Code 124015



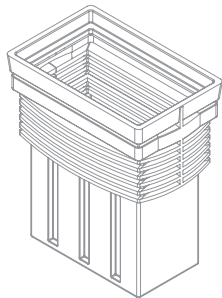
P3 Pit
Product Code 124020



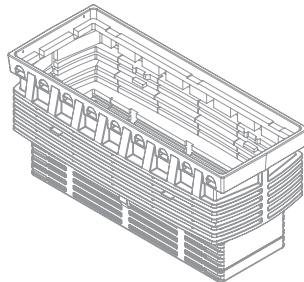
P4 Pit
Product Code 124025



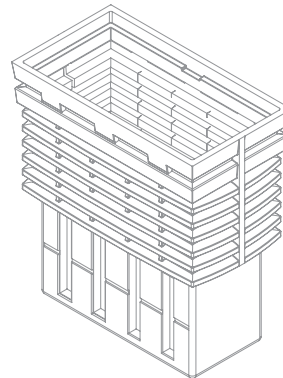
P5 Pit
Product Code 124030



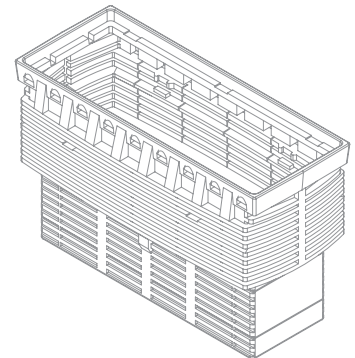
P5-800 Pit
Product Code 124031



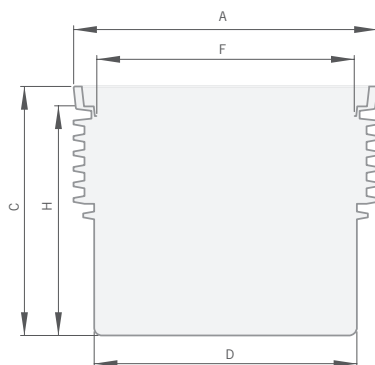
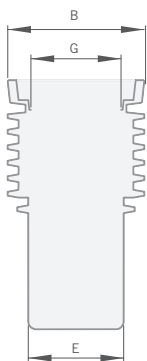
P6 Pit
Product Code 124040



P7 Pit
Product Code 124042



P8 Pit
Product Code 124045



Please Note: Plastic riser extensions available for P4, P5 and P6/8 Pits.
Concrete, GMS or cast iron access covers available for full range in Class A or B loading.
Concrete plinths available for select range for use with heavier duty cover options.

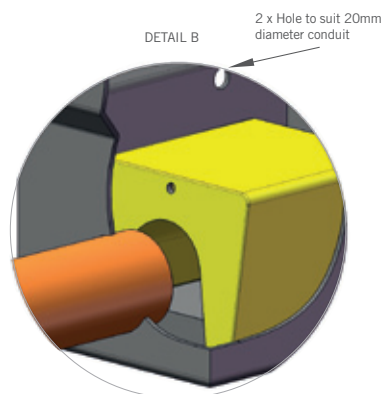
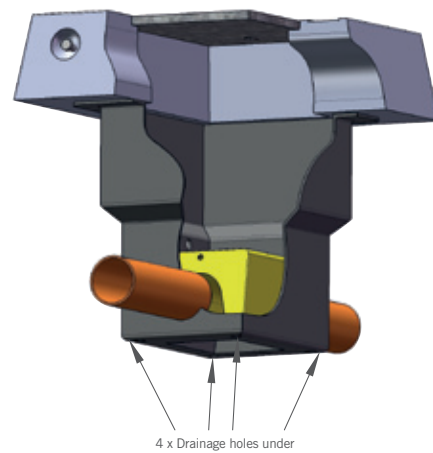
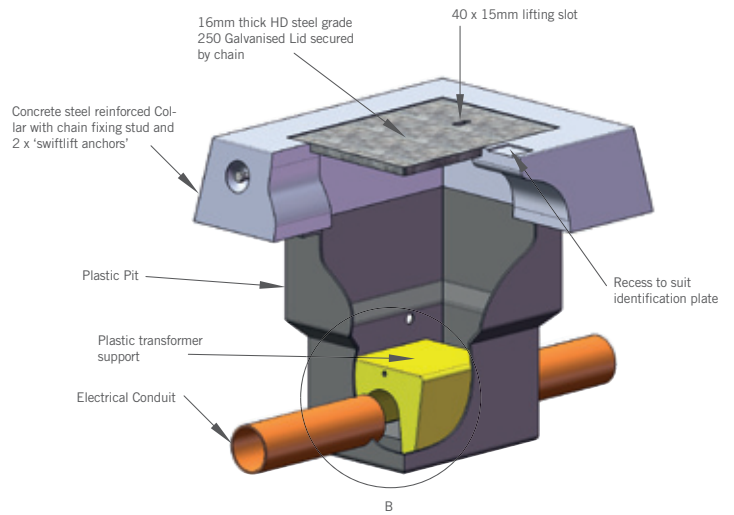
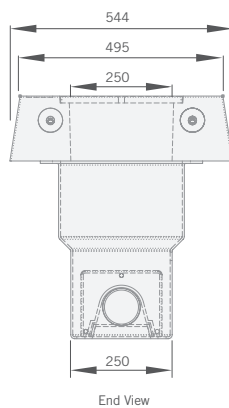
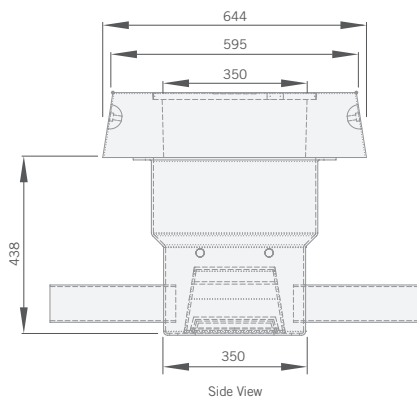
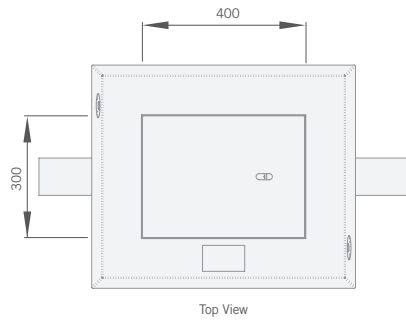
A x B x C x D x E - Overall Dimensions F x G x H - Clear Opening Size

Product Code	124000	124015	124020	124025	124030	124031	124040	124042	124045
	P1 Dimensions	P2 Dimensions	P3 Dimensions	P4 Dimensions	P5 Dimensions	P5-800 Dimensions	P6 Dimensions	P7 Dimensions	P8 Dimensions
A	516	661	785	704	700	700	1364	1020	1364
B	232	290	353	398	450	450	610	560	610
C	408	580	590	830	605	830	660	1130	880
D	410	540	678	550	570	570	1200	860	1200
E	125	170	246	240	320	320	410	400	410
F	425	550	664	582	580	580	1241	898	1241
G	140	185	232	277	330	330	431	440	431
H	350	522	532	774	549	774	600	1070	820

SIT Pit

Air/Road

For runway lighting applications



SIT Pit
Product Code 124060

SIT Transformer Support
Product Code 124065

SIT Collar Concrete
Product Code 523165

SIT GMS Cover C/W Chain
Product Code 321200